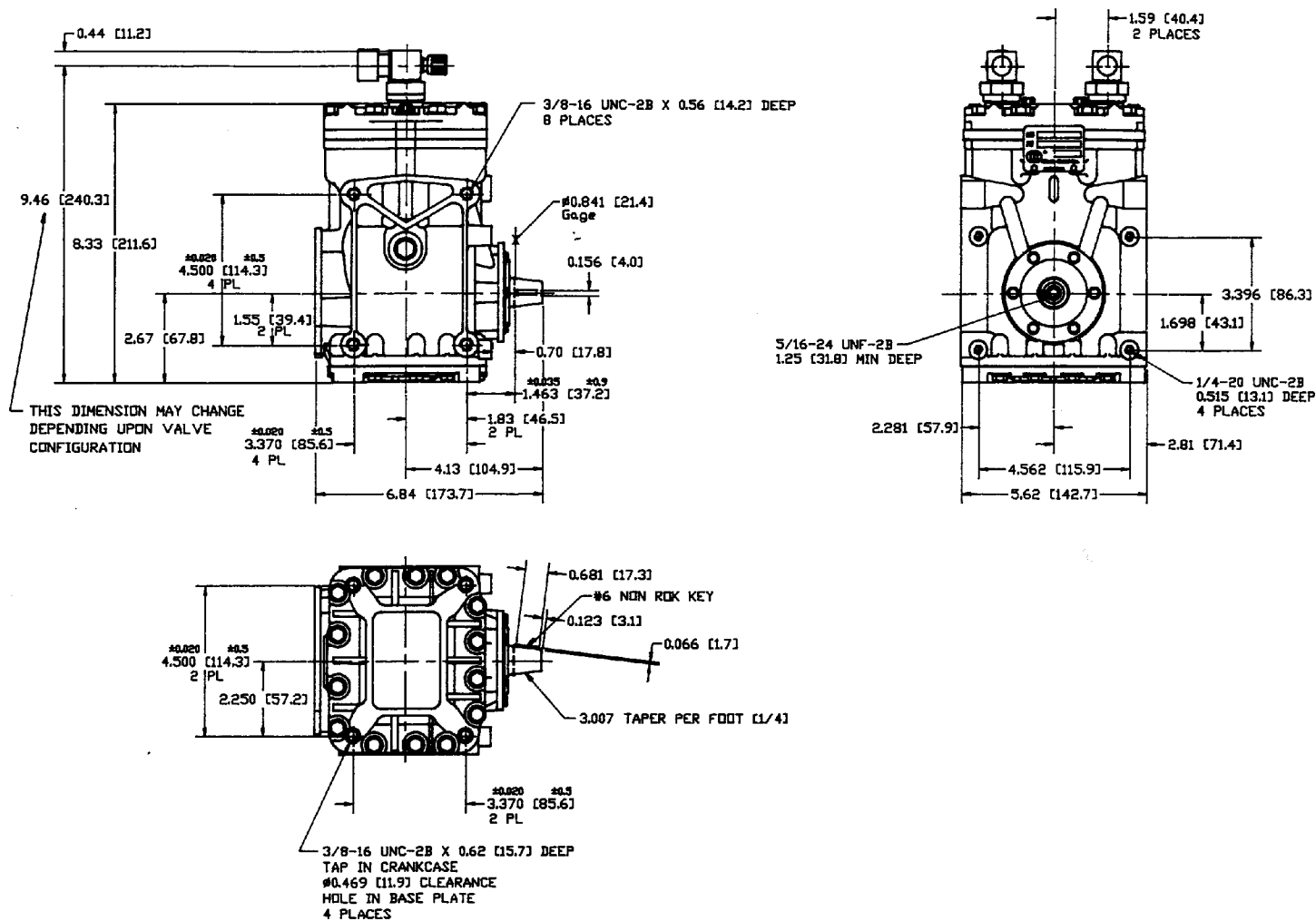




# Compressor Specifications

## Heavy Duty Models



DIMENSIONS: IN. (mm)

SPECIFICATIONS	206	209	210
No. Cylinders	2	2	2
Bore, in. (mm)	1.875 (47.63)	1.875 (47.63)	1.875 (47.63)
Stroke, in. (mm)	1.105 (28.07)	1.573 (39.95)	1.866 (47.40)
Disp., cu. in./rev. (cc/rev)	6.10 (100)	8.69 (142)	10.3 (169)
R.P.M. - Max.	6000	6000	6000
Refrigerant	R-12, 22, 502, 134a & new blends	R-12, 22, 502, 134a & new blends	R-12, 22, 502, 134a & new blends
Initial Oil Charge, fl. oz. (ml)*	14 (413)	14 (413)	14 (413)
Weight, lbs. (kg)	14.6 (6.6)	14.6 (6.6)	14.6 (6.6)
Lubrication	Splash and Positive Pressure and Oil Return Through Suction Side		

\*R-12 Heavy Duty models contain 12 fl. oz. (355 ml). \*R-134a Heavy Duty models contain 14 fl. oz. (413 ml). Some OEM specifications are as high as 17 fl. oz. (503 ml).